

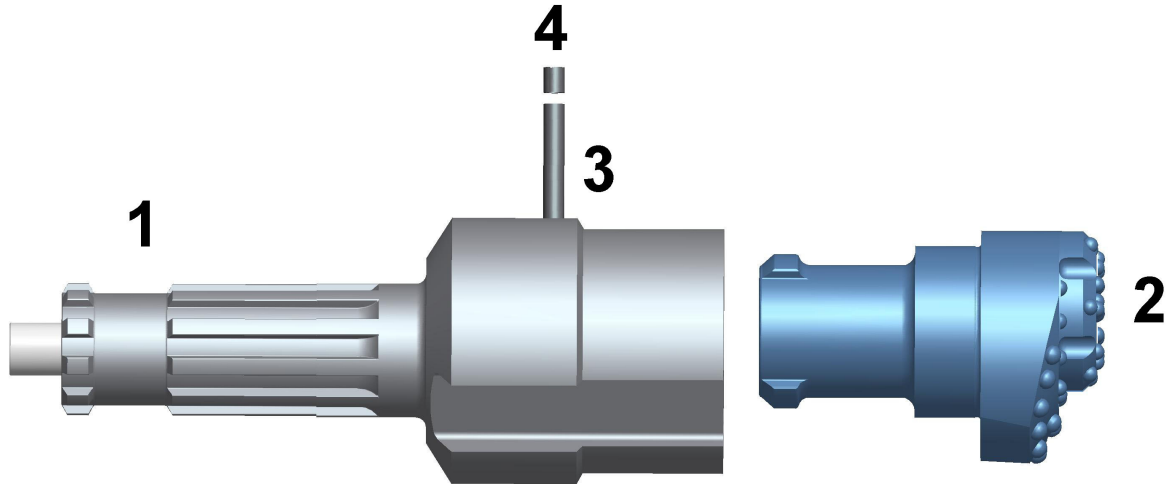
PITUMEC

THE PES 235 ECCENTRIC UNDERREAMING SYSTEM



CASING SIZE 273MM OD X 254MM ID DRILLING DIA. 293MM

PNEUMEC PES 235 ECCENTRIC UNDERREAMING SYSTEM



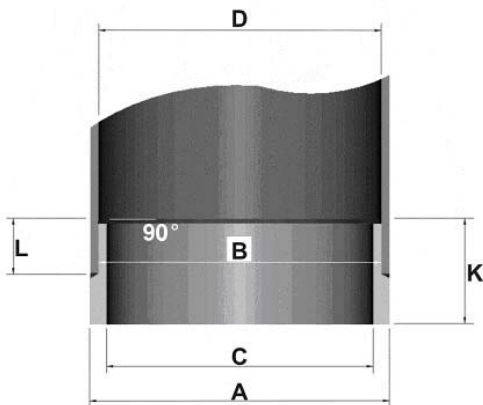
PES 235 PARTS LIST

| | | |
|----|---------------------------|--------------|
| 1. | GUIDE DEVICE DHD380 SHANK | UGD235380PES |
| 2. | ECCENTRIC BIT | UPB235PES |
| 3. | LOCKING PIN | USP23550PES |
| 4. | SPLIT PIN | USP23551PES |
| 5. | COMPLETE SYSTEM | UCS235380PES |

PES 235 SPECIFICATIONS

| | | | |
|---------------------|-------|-----------------|---------------------|
| UPPER BODY DIAMETER | 251MM | CLOSED DIAMETER | 236M |
| REAMING DIAMETER | 293MM | CASING SIZE | 273MM OD X 254MM ID |
| SYSTEM LENGTH | 730MM | SYSTEM WEIGHT | 155KG |

PES 235 CASING SHOES



| | |
|--------|-------|
| DIA. A | 273MM |
| DIA. B | 251MM |
| DIA. C | 238MM |
| DIA. D | 254MM |
| L | 71MM |
| K | 115MM |

PNEUMEC

PNEUMEC COMPANY LIMITED

1st Floor, Tin On Sing Comm. Bldg., 41-43 Graham St. Central, H.K.

Tel : (852) 2180 9922

Fax : (852) 2180 9982

Website : www.pneumec.com

email : info@pneumec.com